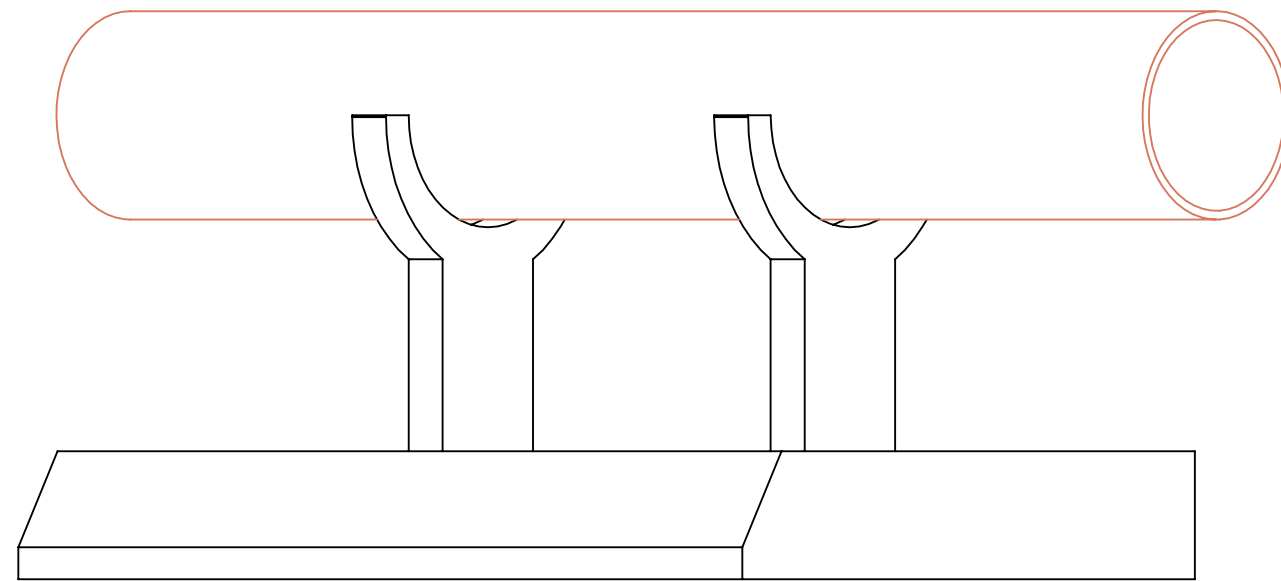



- Pipe to be supplied by IERUS
- Pipe is 1.625" in diameter, 12" long
- Base as drawn is 5" W x 8"L x 1" T.
- Chamfer on base is 0.75" @ 30degrees
- Support arms are 2-5/8" tall off the base.
- Pipe rests in a 1-3/4" diam cutout, allows for felt to line the wood.



SCALE 1 : 1.5

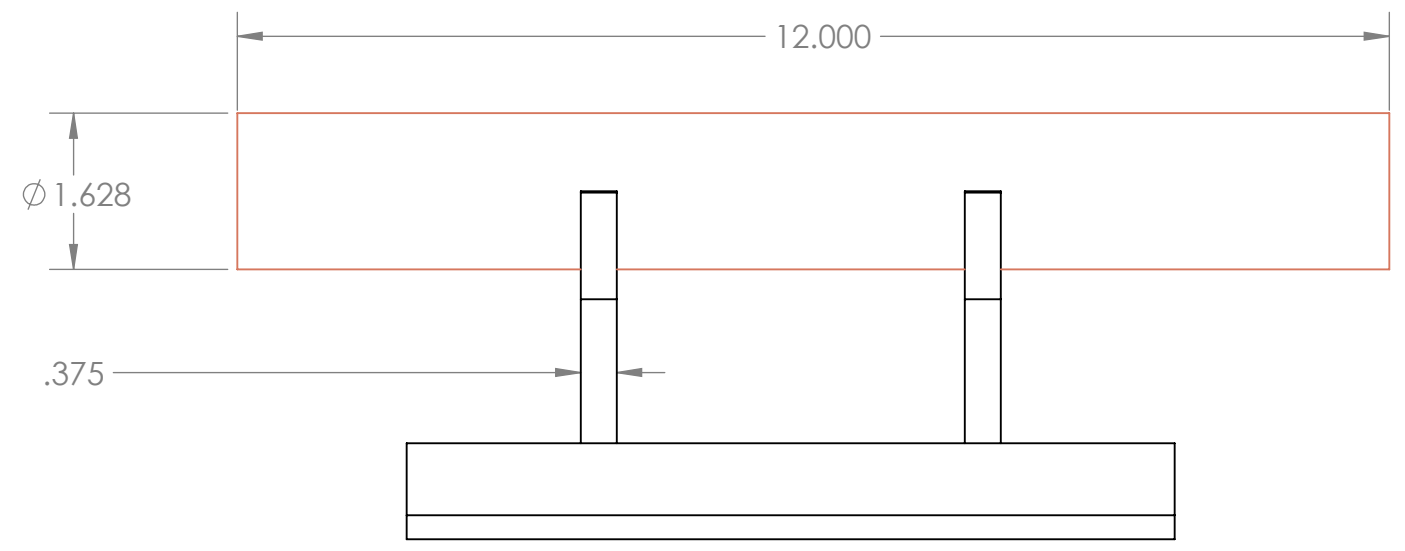
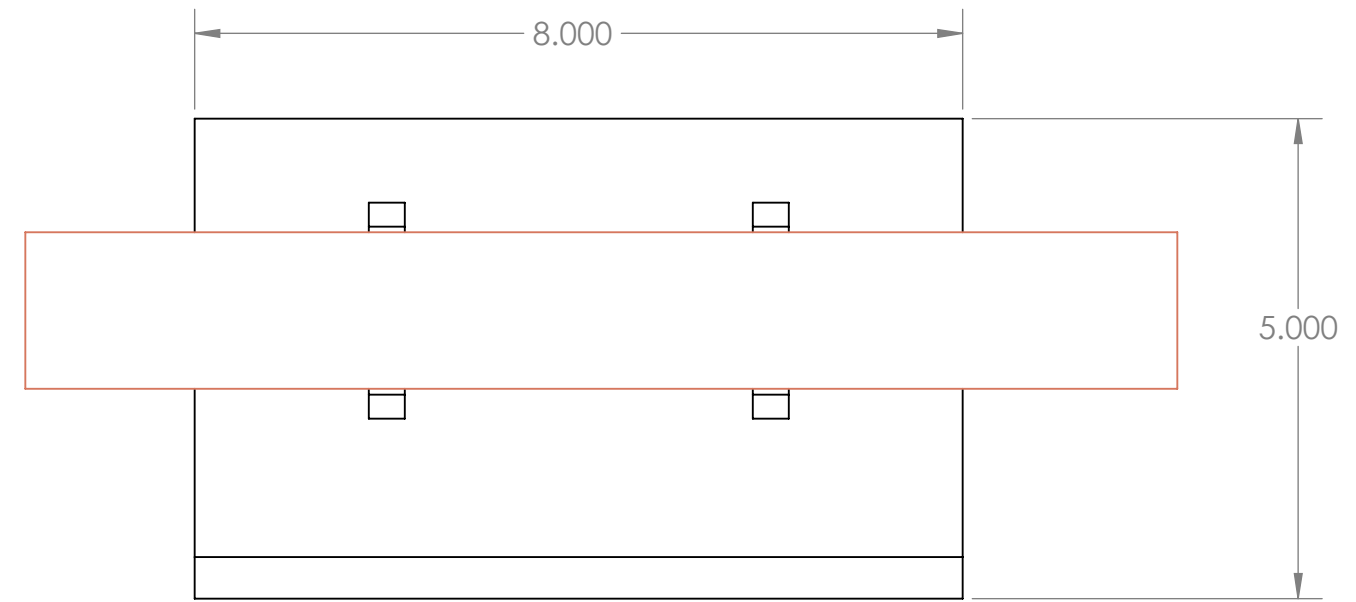
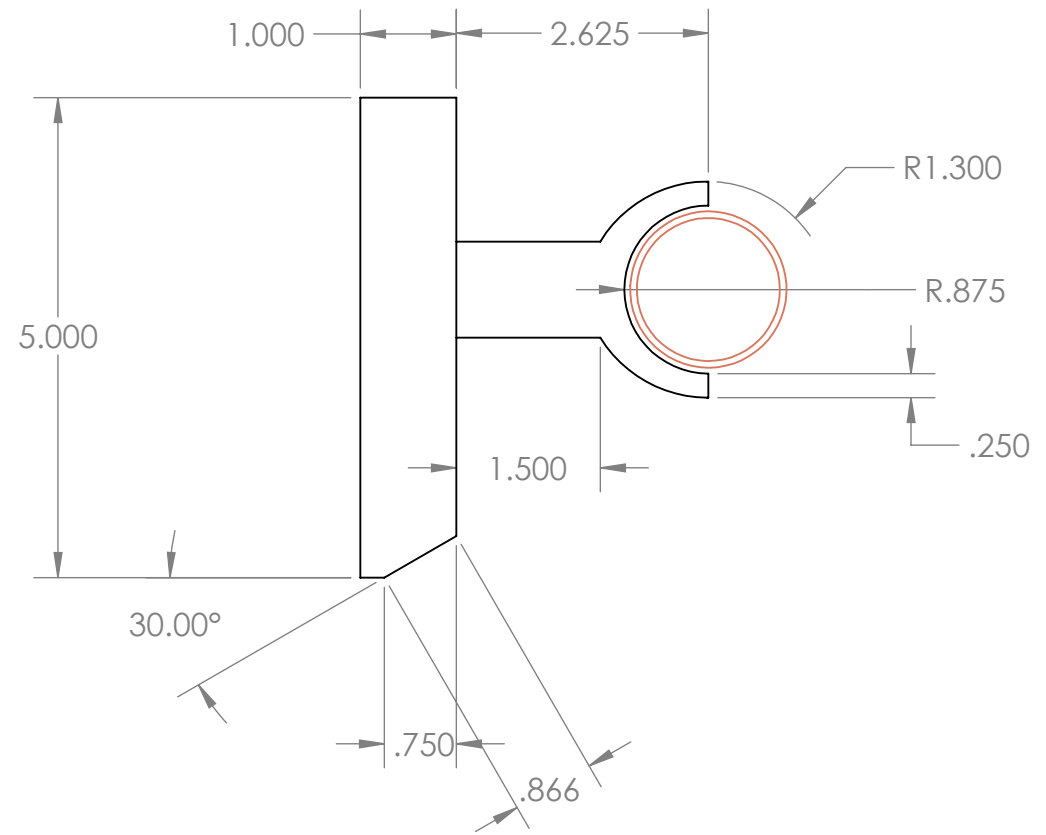
UNLESS OTHERWISE SPECIFIED:		Project:	OpenPipe	
DIMENSIONS ARE IN INCHES			NAME	DATE
TOLERANCES:		DRAWN		
FRACTIONAL ± 1/16		CHECKED		
ANGULAR: ± 0.5		PM APPR.		
TWO PLACE DECIMAL ± 0.030		Q.A.		
THREE PLACE DECIMAL ± 0.010		COMMENTS:		
INTERPRET GEOMETRIC TOLERANCING PER:		 Name:  <h1>OpenPipe 2014</h1>		
MATERIAL				
FINISH				
DO NOT SCALE DRAWING		SIZE	No:	REV
		<b>B</b>	---	-
		SCALE: 1:2	WEIGHT:	SHEET 1 OF 2

**IERUS PROPRIETARY**  
 THE INFORMATION CONTAINED IN THIS DRAWING IS THE SOLE PROPERTY OF IERUS Technologies Inc. ANY REPRODUCTION IN PART OR AS A WHOLE WITHOUT THE WRITTEN PERMISSION OF IERUS Technologies Inc IS PROHIBITED.

8 7 6 5 4 3 2 1

D  
C  
B  
A

D  
C  
B  
A



UNLESS OTHERWISE SPECIFIED:

DIMENSIONS ARE IN INCHES  
TOLERANCES:  
FRACTIONAL: ±1/16  
ANGULAR: ±0.5  
TWO PLACE DECIMAL ±0.030  
THREE PLACE DECIMAL ±0.010

INTERPRET GEOMETRIC TOLERANCING PER:

MATERIAL

FINISH

DO NOT SCALE DRAWING

Project: OpenPipe

	NAME	DATE
--	------	------

DRAWN		
-------	--	--

CHECKED		
---------	--	--

PM APPR.		
----------	--	--

Q.A.		
------	--	--

COMMENTS:



Name:  
**OpenPipe 2014**

SIZE	No:	REV
<b>B</b>	---	-

SCALE: 1:2 WEIGHT: SHEET 2 OF 2

**IERUS PROPRIETARY**  
THE INFORMATION CONTAINED IN THIS DRAWING IS THE SOLE PROPERTY OF IERUS Technologies Inc. ANY REPRODUCTION IN PART OR AS A WHOLE WITHOUT THE WRITTEN PERMISSION OF IERUS Technologies Inc IS PROHIBITED.

8 7 6 5 4 3 2 1